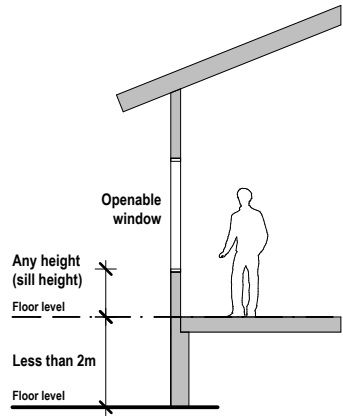
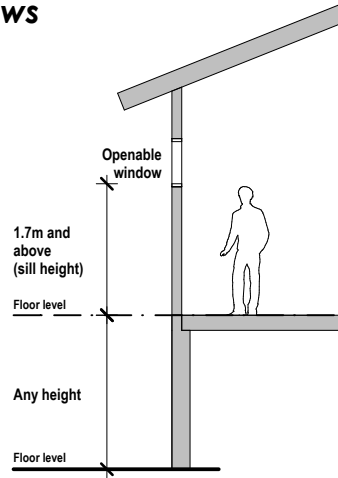


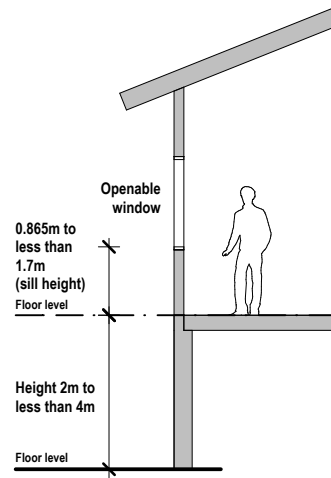
ALL AUSTRALIAN ARCHITECTURE  
**Protection of Openable Windows**



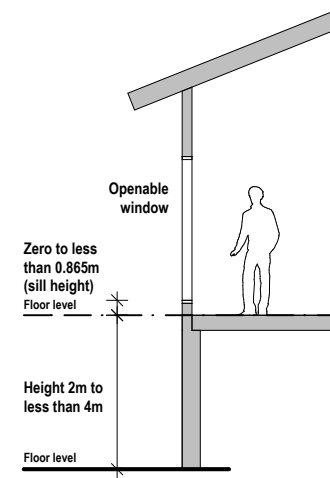
**Bedrooms & Early Childhood Centre**  
 Protection not required  
**All other rooms**  
 Protection not required



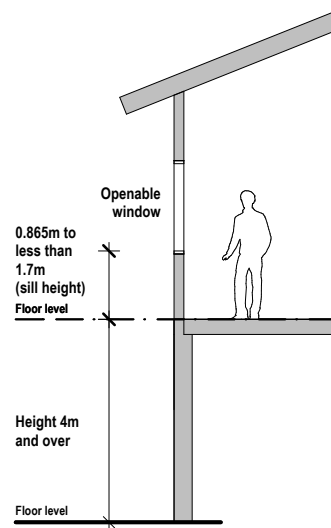
**Bedrooms & Early Childhood Centre**  
 Protection not required  
**All other rooms**  
 Protection not required



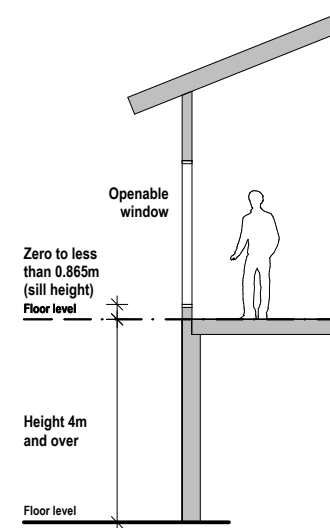
**Bedrooms & Early Childhood Centre**  
 Protection required - See Note 1  
**All other rooms**  
 Protection not required



**Bedrooms & Early Childhood Centre**  
 Protection required - See Note 1 & Note 2  
**All other rooms**  
 Protection not required



**Bedrooms & Early Childhood Centre**  
 Protection required - See Note 1  
**All other rooms**  
 Protection required - See Note 1



**Bedrooms & Early Childhood Centre**  
 Protection required - See Note 1 & Note 2  
**All other rooms**  
 Protection required - See Note 1 & Note 2

**Note 1**  
 Window opening must be protected by a Screen or have Opening Restriction. See below.

**Note 2**  
 Window opening must be protected by a Screen or have a Opening Restriction, and a Barrier. See below.

**Screen**  
 The window is fitted with a fixed screen or dynamic screen which has a Child Resistant release mechanism if the screen is able to be removed, unlocked or overridden, in case of fire or other emergency to allow escape.

Screens may be internal or external and do not allow a 125mm sphere pass through, as well as resist a horizontal outward force of 250 N.

**Opening Restriction**  
 The window is fitted with a fixed or dynamic device that is capable of restricting the opening so a 125mm sphere cannot pass through, and will resist a horizontal outward force of 250 N.

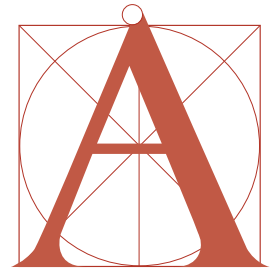
**Barrier**  
 A barrier has a minimum height of 0.865m and must not allow a 125mm sphere pass through and will resist a horizontal outward force of 250 N.

A barrier must not have any horizontal or near horizontal elements between 0.150m and 0.760m above the floor that facilitates climbing.

**Child Resistant**  
 Child Resistance can be achieved by the need to use a tool, key or two hands.

**Disclaimer**  
 Please refer to the "Building Code of Australia, Volume One: Section D2.24 and Volume Two: Section 3.9.2.5 Protection of openable windows". The following diagrams are used for illustrative purposes only and are subject to the BCA clause's as stated above.

Document prepared on 01 August 2014



ALL AUSTRALIAN  
**ARCHITECTURE**

Suite 206, 20 Dale St  
 Brookvale NSW 2100

P : 02 9938 5180  
 F : 02 9938 5189  
 M : 0412 348 575

adam@aaarchitect.com  
[www.aaarchitect.com.au](http://www.aaarchitect.com.au)

ABN 95 492 673 232

**Protection of  
 Openable  
 Windows**

Adam Pressley FRAIA  
 Nominated Architect  
 NSW Reg. No. 6007



**Member**  
 Australian Institute  
 of Architects